

TRIANGO 80-1 F

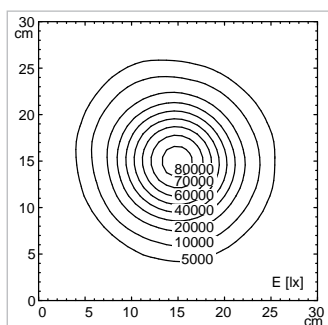
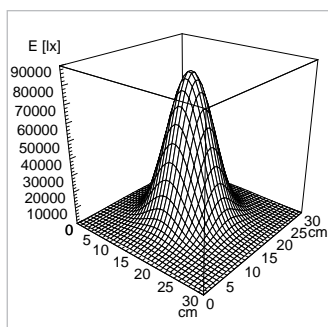
TECHNICAL DATA

FITTED WITH	1 x LED module
LUMINOUS POWER	80 000 Lux / 1,0 m *
COLOR TEMPERATURE	4 500 K *
ILLUMINANCE FIELD 1,0 m	ø 18 cm*
DEPTH OF ILLUMINATION	2,4 m
COLOR RENDERING INDEX	CRI > 95
OPERATION EQUIPMENT	Electronic converter
VOLTAGE	100-240 V; 50/60 Hz
CORD LENGTH	3 m
LUMINAIRE BODY	Polycarbonate & Acrylonitrile-butadiene-styrene-copolymer (PC & ABS)
WEIGHT (NET)	20 kg
POWER CONSUMPTION	30 Watt
USAGE	Rotary switch on the luminaire head
TECHNOLOGY	Single-pole secondary
BALANCE OF ARTICULATION JOINTS	Spring (weight compensation)
CLASS OF PROTECTION	I
PROTECTION RATING	IP 43 (illumination head)
STANDARDS MET	EN 60601-1, EN 60601-2-41
SPECIAL FEATURES	Continuously dimmable, sterilizable handle, maintenance-free
MOUNTING	roller stand
ACCESSORIES	Sterilizable handle, intermediate ceiling adapter
ORDER NUMBER	D16.132.000-00808982 - pure white - Schuko D16.133.000-00808983 - pure white - CH D16.134.000-00808984 - pure white - UK

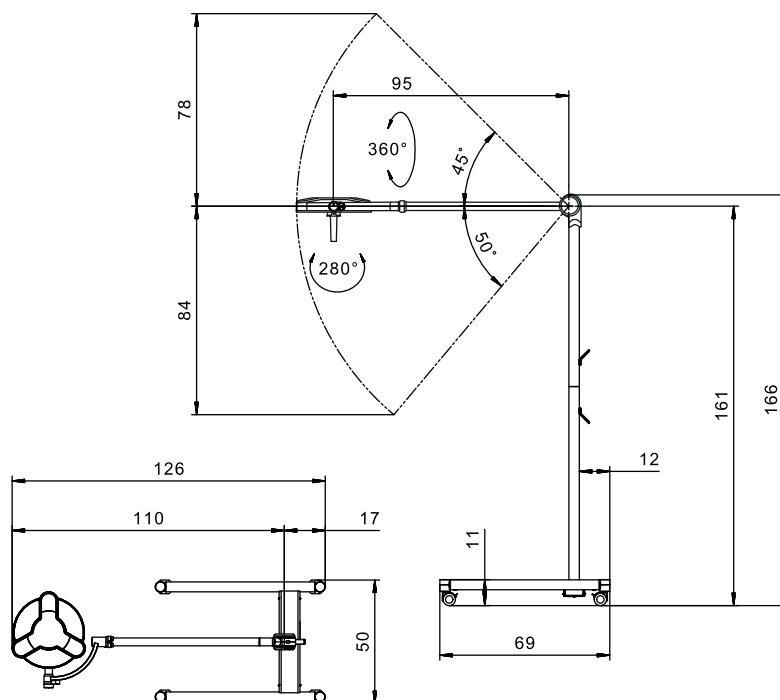
TREATMENT LIGHT



LIGHT DISTRIBUTION



TECHNICAL DRAWING



measurements in centimeters * -10% / +20% tolerance